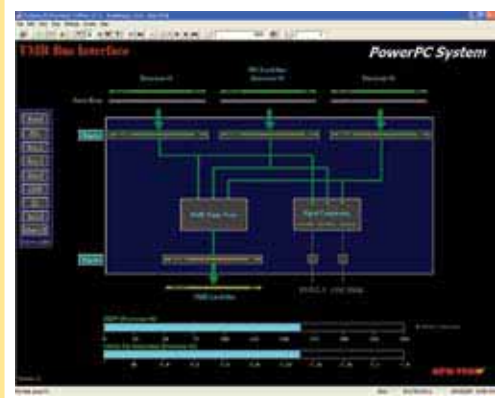
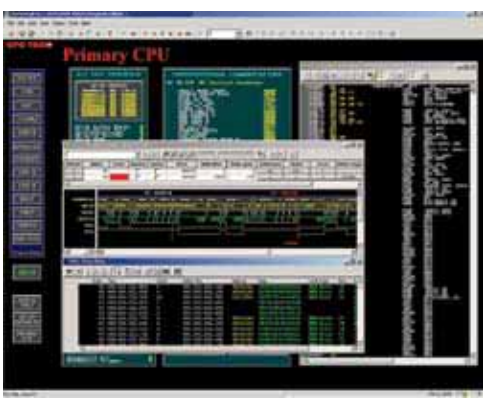


SYSTEMLAB™ INTEGRATIONSTATION

Advanced System Design Tool Suite



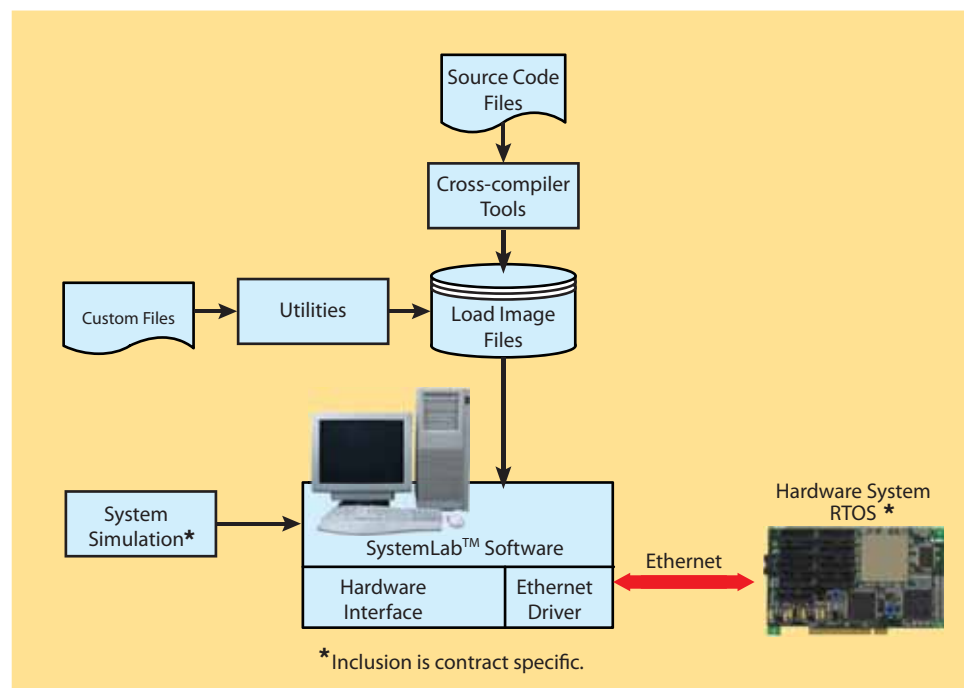
Advanced System Design Tool Suite

SystemLab™ IntegrationStation is a tailored development environment that provides seamless system-wide visibility.

SystemLab™ IntegrationStation provides vast productivity improvement for development and test engineers by offering:

- ❑ Unprecedented visibility to the entire hardware system
- ❑ A common, intuitive, easy to use interface
- ❑ A complete software development and integration environment
- ❑ A robust validation and regression test process with automation
- ❑ Rapid coding with Standard C and its libraries and utilities
- ❑ Time to market and money savings by eliminating in-house tool development and expedited testing process
- ❑ Continuous support from experts in system architecture and software tools

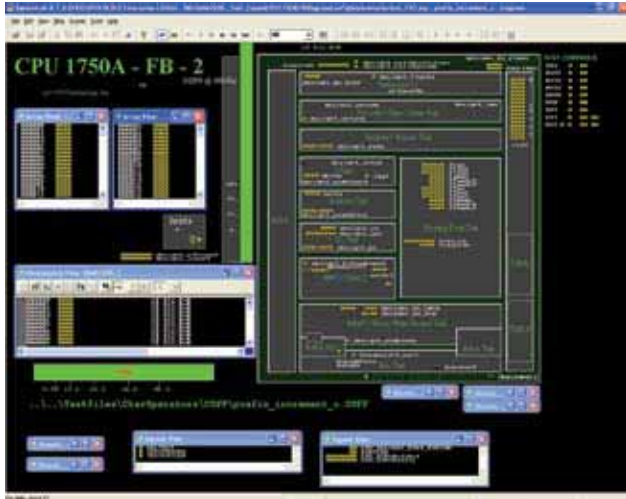
IntegrationStation Elements



Use of the IntegrationStation results in productivity gains in all aspects of system integration.

- ❑ Application Development
 - C compiler tools, libraries, utilities, and build scripts
 - Compatible with ISO/IEC 9899: 1999 Standard
 - Backward compatible assembly of existing software
- ❑ Loading, Executing, and Debugging
 - Load RTOS and embedded software
 - Supports heterogeneous multiprocessor systems
 - Update flash memory with software images
 - Control software stepping and execution with Real-Time Non-intrusive Instrumentation (RTNI) and software breakpoints
 - Monitor execution with debugger view and trace view

No other tool vendor offers the capabilities and benefits provided by this powerful and leading-edge design environment.



- ❑ Monitoring
 - Custom views and display screens
 - Visibility and control of signals, registers, and memory arrays
 - Log files and visual reporting
 - Instruction-level and bus cycle tracing
- ❑ Analysis and Profiling
 - Tracing with time stamp
 - Performance monitoring with event counters
 - Timing analysis with timer trap functions
- ❑ Project Management
 - Project workspace and project files
 - Regression test suite management
 - Startup command files
 - Vector command files

- ❑ Test Automation
 - Regression test environment management
 - Point-and-click execution of test suites
 - Single- or multi-pass regression testing
- ❑ Reporting
 - Visual display of regression test results
 - Regression test reports
 - Detailed failure reporting
 - System activity logs

SystemLab Product Package Includes:

- ❑ SystemLab™ IntegrationStation
- ❑ Ethernet Drivers: Windows 2000 and XP
- ❑ Installation and Configuration Guide
- ❑ User Reference and Guide

Licensing Models

- ❑ Node-locked-machine
- ❑ Floating-concurrent-license server

PC Workstation Requirements

- ❑ Intel® Pentium III or higher, or compatible processor
- ❑ Microsoft® Windows 2000 with Service Pack 4 or Windows XP
- ❑ 256 MB of RAM (512 MB or more recommended)
- ❑ 500 MB of available hard-disk space
- ❑ Microsoft® mouse-compatible pointing device and CD-ROM drive
- ❑ 1280 x 1024 resolution or greater and 256 colors or greater video
- ❑ A second NIC if connection of both LAN and hardware system is desired



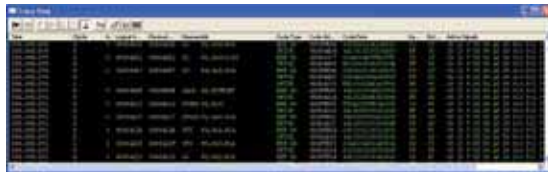
SystemLab™ IntegrationStation includes the following program specific software if required:

- ❑ Cross-compiler Tools
- ❑ Program Specific Hardware Interface Software
- ❑ Program Specific Utilities
- ❑ Firmware Executables (RTOS)
- ❑ Documentation
 - Installation and Configuration Guides
 - Reference Manuals
 - Tutorials

System-Wide Visibility

The IntegrationStation offers full visibility into the entire computing system. By zooming into the details of each system component, users can monitor, make changes, or debug software running in the system. IntegrationStation supports everything from single processor systems to complex heterogeneous multiprocessor systems.

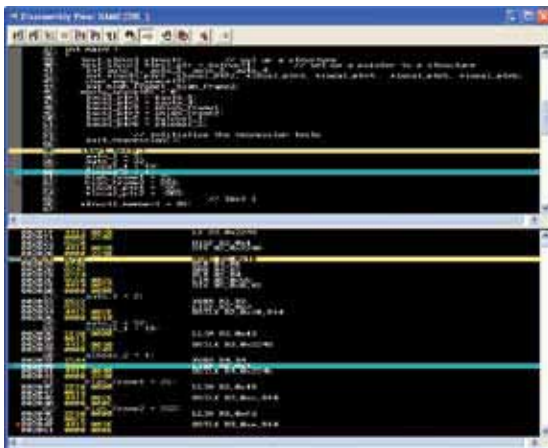
Trace View



Waveform View



Disassembly View



Integrated Regression Test



Debug View

- View C source and assembly code
- Set breakpoints
- Step C source and assembly code
- Set markers on assembly lines
- Track execution

CPU Technology, Inc. 5731 W. Las Positas Boulevard, Pleasanton, CA 94588 USA
© Copyright 2006 CPU Technology, Inc. All rights reserved. CPU Tech is a registered trademark of CPU Technology, Inc.